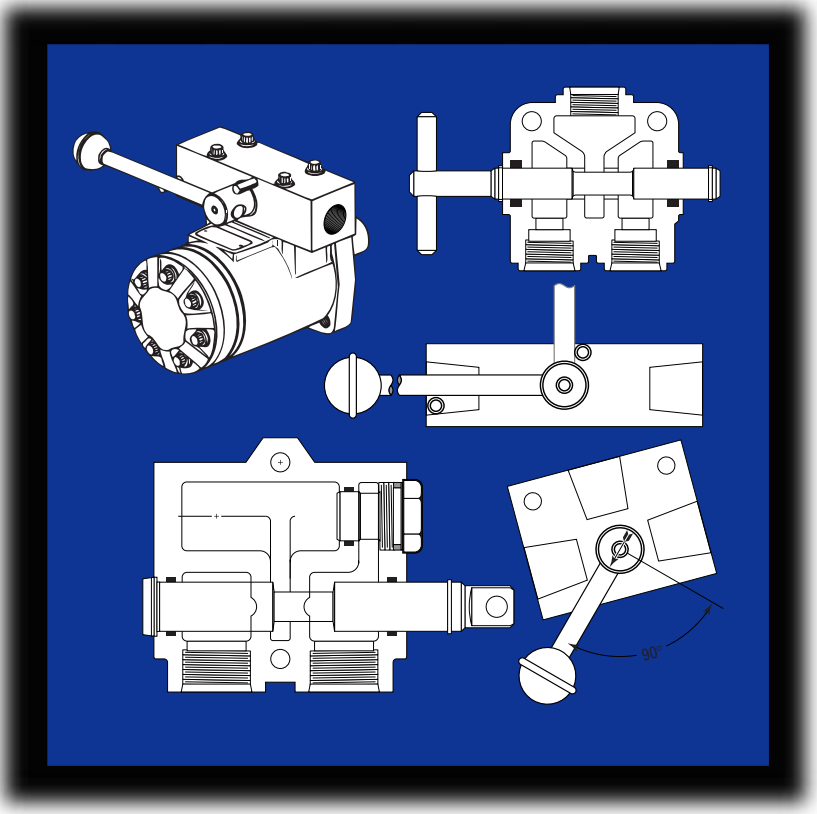


S

**Eaton®**  
Selector Valves

June 1996



## Manually Operated Selector Valves

We Manufacture

# Solutions

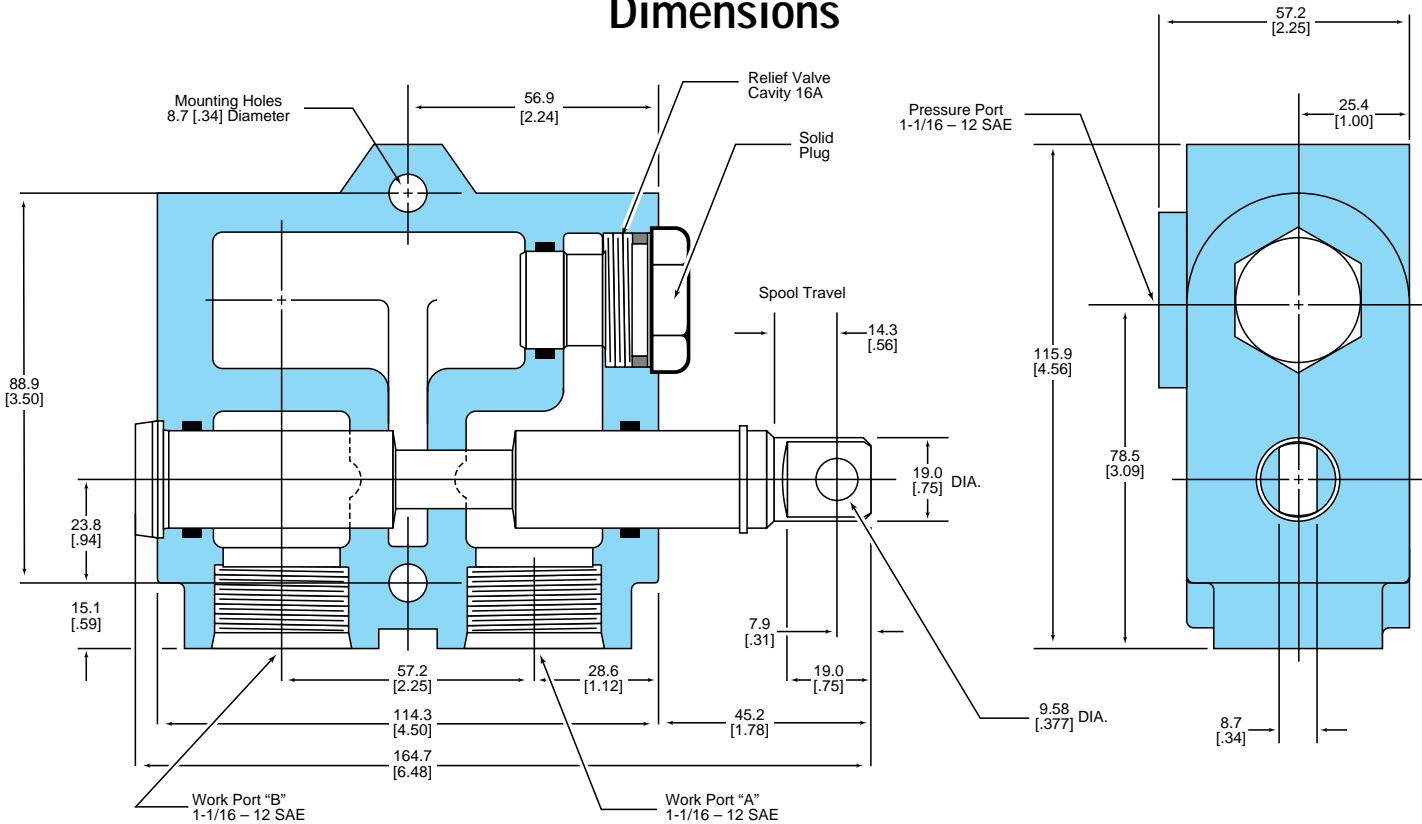
Hydraulics

Specialty Hydraulic Solutions

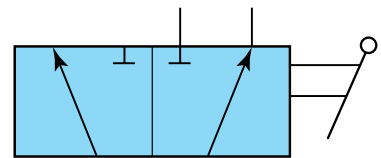
# Model 15676 30 GPM Selector Valve

## With Optional Inlet Relief Valve

### Dimensions



### Schematic



### Specifications

Rated Input Flow	113.6 L/min. [30 GPM]
Rated Pressure	172.4 bar [2500 PSI]
Weight	3.2 kg. [7.0 lbs.]
Paint	Primer

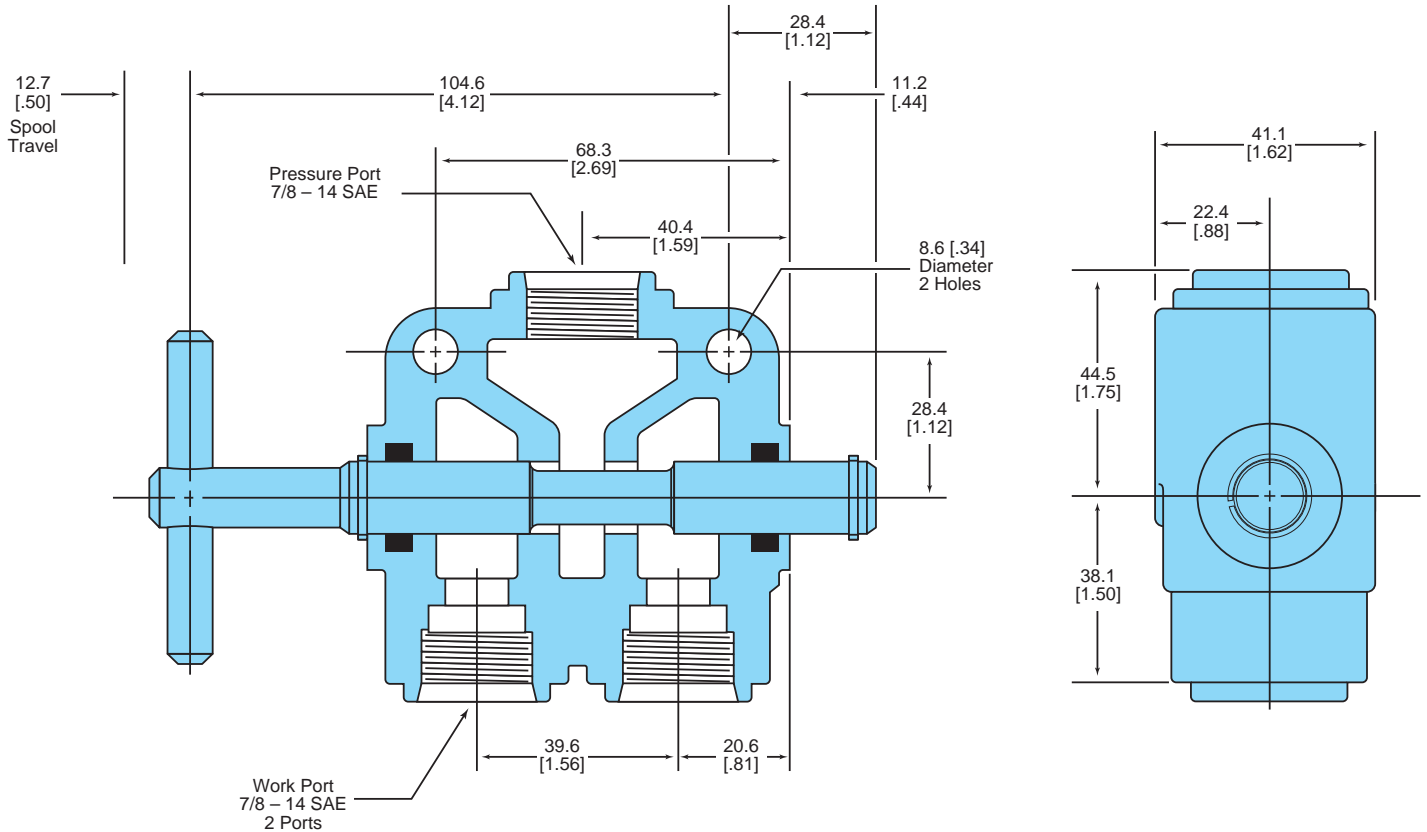
**Note:** When a relief valve is installed in relief valve cavity 16A port "A" must be connected to tank, port "B" is then used as a pressure port to control valve or motor.

### Ordering Information

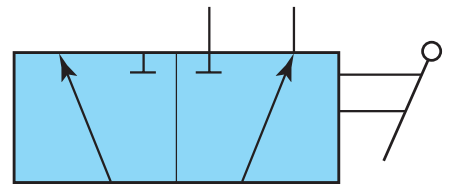
Order No. 15676-DAA

# Model 39004 20 GPM Selector Valve

## Dimensions



## Schematic



## Specifications

Rated Input Flow	75.7 L/min. [20 GPM]
Rated Pressure	172.4 bar [2500 PSI]
Weight	1.5 kg. [3.25 lbs.]
Paint	Primer

## Ordering Information

Order No. 39004-ABC

# Rotary Selector Valves—3 or 4 Way

Two position, two or three way plug-type selector valves are used to turn motor circuits on and off, for auger and conveyor controls, and for fishing gurdys. Normal operating pressure is 104 bar [1500 PSI] due to forces required to operate the

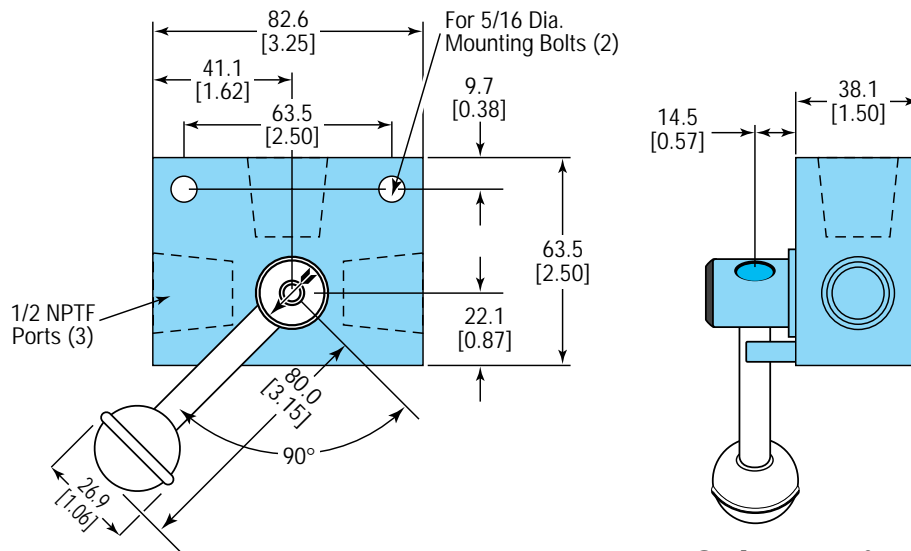
lever, but valves may be used in any set position to 207 bar [3000 PSI]. They are available with in-line mounting or for manifold mounting on Char-Lynn® H and S Series motors.

## 20 GPM 3 Way In Line Selector

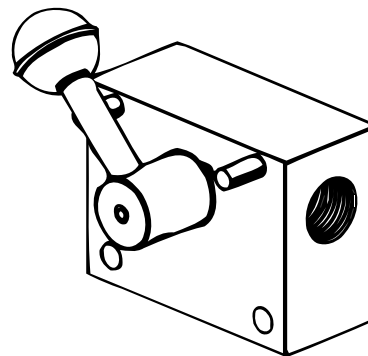
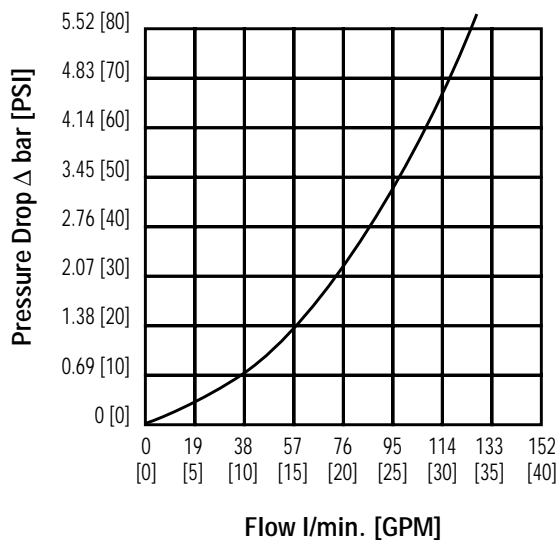
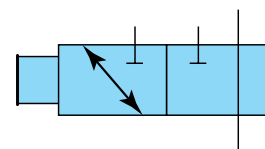
No Relief, Nominal Pressure Rating 207 bar [3000 PSI]

Flow	Product Number	Mounting	Port Size	Shipping Weight
76 l/min 20 GPM	601-1015		1/2 NPTF	3.3 kg 1.5 lbs

### Dimensions



### Schematic



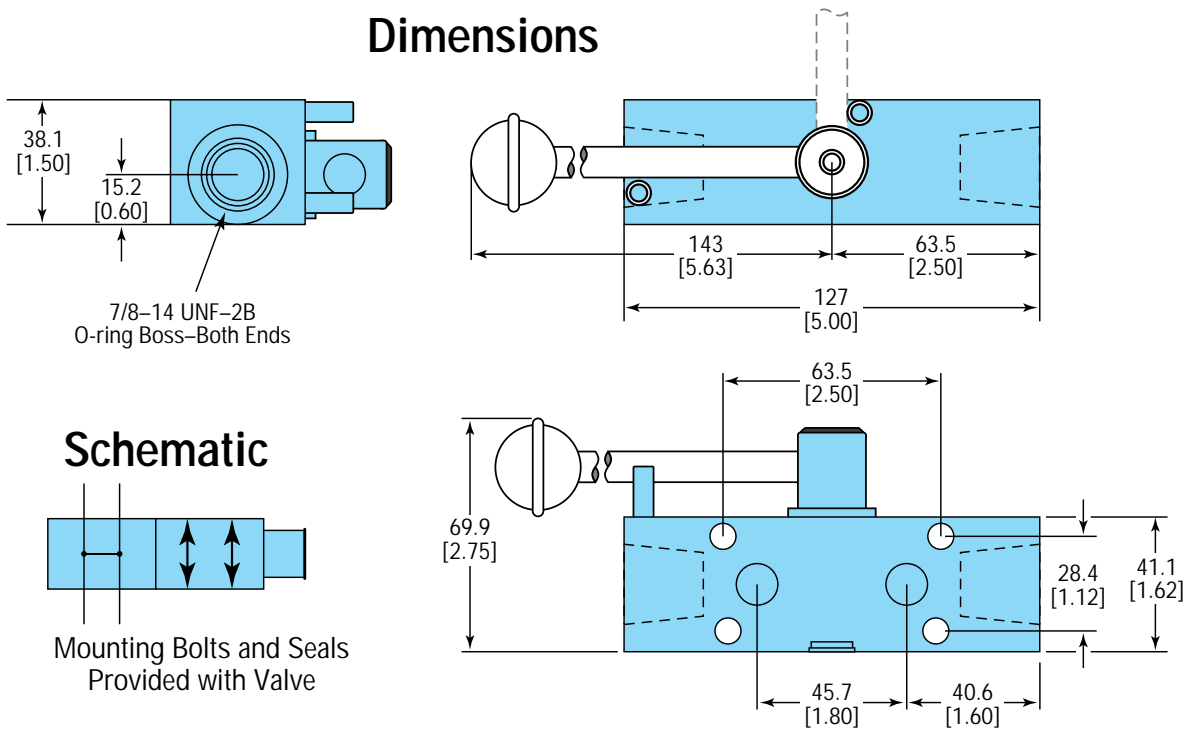
601-1015

# 20 GPM 4 Way Port Mounted Selector

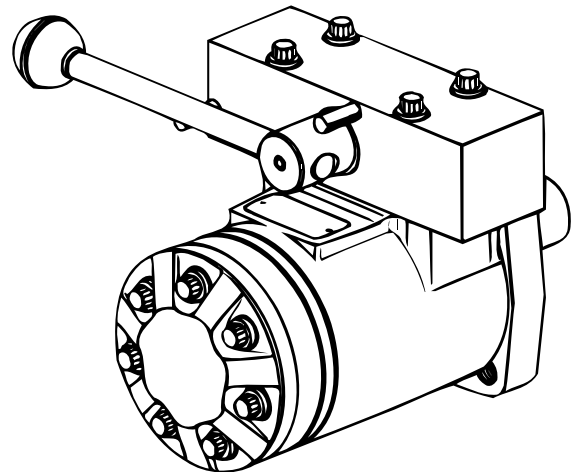
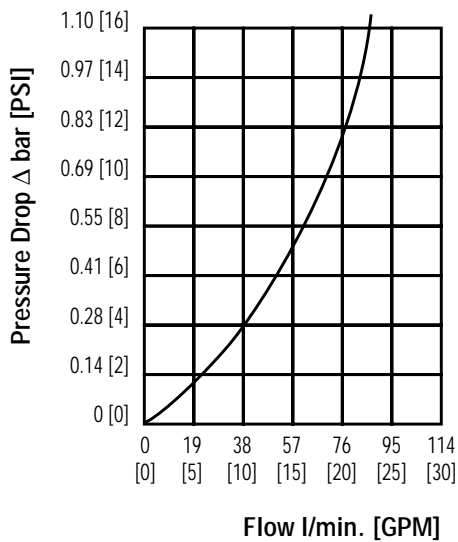
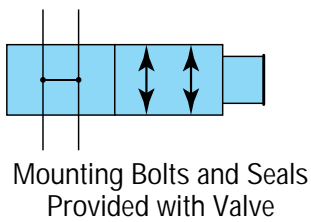
## No Relief, Nominal Pressure Rating 207 bar [3000 PSI]

Flow	Product Number	Mounting	Port Size	Shipping Weight
76 l/min 20 GPM	601-1126	Char-Lynn H&S Series Motor Port Mounting	7/8-14 O-ring	3.3 kg 1.5 lbs

### Dimensions



### Schematic



601-1126 (Mounted on Motor)

---

# Notes

# Notes

**Eaton**  
Fluid Power Group  
Hydraulics Business USA  
14615 Lone Oak Road  
Eden Prairie, MN 55344  
USA  
Tel: 952-937-9800  
Fax: 952-294-7722  
[www.eaton.com/hydraulics](http://www.eaton.com/hydraulics)

**Eaton**  
Fluid Power Group  
Hydraulics Business Europe  
Route de la Longeraie 7  
1110 Morges  
Switzerland  
Tel: +41 (0) 21 811 4600  
Fax: +41 (0) 21 811 4601

**Eaton**  
Fluid Power Group  
Hydraulics Business Asia Pacific  
11th Floor Hong Kong New World Tower  
300 Huaihai Zhong Road  
Shanghai 200021  
China  
Tel: 86-21-6387-9988  
Fax: 86-21-6335-3912